

## Features

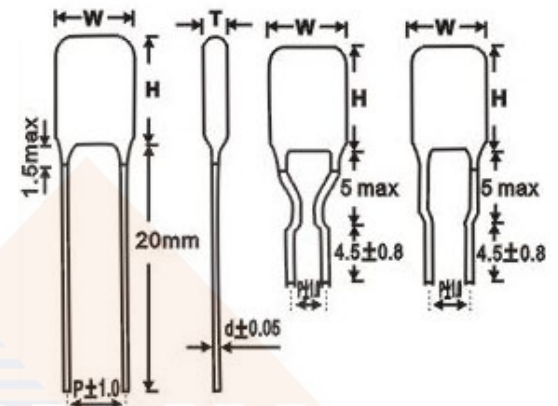
- Small size, light weight and low cost
- High stability and reliability
- Dissipation factor is small because the leads are directly welded to electrodes
- Widely used in DC and pulsating circuits of radio, communication TV sets and various electronic equipments



## Configuration

Are-inductive, wound with polyester film as the dielectric and aluminum foil as the electrode with copper-clad steel leads and epoxy resin coating.

## Specifications & Outline Drawing

Reference Standard	GB 6349-86	
Climatic Category	40/85/21	
Rated Voltage	50V, 100V, 250V, 400V, 630V, 1000V, 1200V	
Capacitance Range	0.001~0.47 $\mu$ F	
Capacitance Tolerance	$\pm 5\%$ (J), $\pm 10\%$ (K), $\pm 20\%$ (M)	
Voltage Proof	$2U_R(5s)$	
Dissipation Factor	$\leq 1.0\%$ (20°C, 1kHz)	
Insulation Resistance (20°C, 1min)	$\geq 30000M\Omega$ (CR $\leq 0.1 \mu$ F) $\geq 10000s$ (CR $> 0.1 \mu$ F)	

## Dimensions

Cap $\mu$ F	50VDC				100VDC				250VDC			
	W(mm)	T(mm)	H(mm)	P(mm)	W(mm)	T(mm)	H(mm)	P(mm)	W(mm)	T(mm)	H(mm)	P(mm)
0.0010	5.5	3.5	7.5	3.5	6.0	3.5	10.5	3.5	6.5	4.0	11.0	3.5
0.0012	5.5	3.5	7.5	3.5	6.0	3.5	10.5	3.5	6.5	4.0	11.0	3.5
0.0015	5.5	3.5	7.5	3.5	6.0	3.5	10.5	3.5	6.5	4.0	11.0	3.5
0.0018	5.5	3.5	7.5	3.5	6.0	3.5	10.5	3.5	6.5	4.0	11.0	3.5
0.0022	5.5	3.5	7.5	3.5	6.0	3.5	10.5	3.5	6.5	4.0	11.0	3.5
0.0027	5.5	3.5	7.5	3.5	6.0	3.5	10.5	3.5	6.5	4.0	11.0	3.5
0.0033	5.5	3.5	7.5	3.5	6.0	3.5	10.5	3.5	6.5	4.0	11.0	3.5
0.0039	5.5	3.5	7.5	3.5	6.0	3.5	10.5	3.5	6.5	4.0	11.0	3.5
0.0047	5.5	3.5	7.5	3.5	6.0	3.5	10.5	3.5	6.5	4.0	11.0	3.5
0.0056	5.5	3.5	7.5	3.5	6.0	4.0	10.5	3.5	7.0	4.0	11.0	5.0
0.0068	5.5	3.5	7.5	3.5	6.0	4.0	11.5	3.5	7.0	4.0	11.0	5.0
0.0082	5.5	3.5	7.5	3.5	6.5	4.0	11.5	5.0	8.0	4.0	13.0	5.0
0.0100	6.0	3.5	9.5	3.5	6.5	4.0	11.5	5.0	8.0	4.0	13.0	5.0
0.0120	6.0	3.5	9.5	3.5	6.5	4.0	11.5	5.0	8.5	5.0	13.5	5.0
0.0150	6.0	3.5	9.5	3.5	7.5	4.0	12.0	5.0	8.5	5.0	13.5	5.0
0.0180	6.5	3.5	9.5	4.0	7.5	4.0	12.0	5.0	9.0	5.7	14.0	5.0



## Dimensions

CAP	50VDC				100VDC				250VDC			
	μ F	W(mm)	T(mm)	H(mm)	P(mm)	W(mm)	T(mm)	H(mm)	P(mm)	W(mm)	T(mm)	H(mm)
0.0220	6.5	3.5	9.5	4.0	8.0	4.5	12.0	5.0	9.0	6.0	14.0	6.5
0.0270	6.5	4.0	9.5	4.0	8.0	5.0	12.0	5.0	10.0	6.0	15.0	6.5
0.0330	7.5	4.0	9.5	5.0	9.5	5.0	12.0	5.0	10.0	6.5	15.0	6.5
0.0390	7.5	4.5	9.5	5.0	9.5	5.0	12.0	5.0	11.5	7.0	15.5	6.5
0.0470	7.5	4.5	9.5	5.5	9.5	5.0	12.0	5.0	12.5	8.5	17.5	6.5
0.0560	8.0	4.5	11.0	5.5	10.0	5.5	12.5	7.5	14.0	8.5	21.0	7.5
0.0680	9.0	5.0	11.0	5.5	10.0	5.5	12.5	7.5	14.0	8.5	21.0	7.5
0.0820	9.0	5.5	11.5	6.0	11.0	6.5	12.5	7.5	16.0	9.5	22.0	8.5
0.1000	10.0	6.0	11.5	6.0	11.5	6.5	14.5	7.5	16.0	9.5	22.0	8.5
0.1200	11.0	6.0	11.5	6.0	12.5	7.0	16.5	8.0	17.0	10.0	19.0	9.0
0.1500	11.0	6.5	12.5	6.0	12.5	7.0	16.5	8.0	17.0	11.0	22.0	10.5
0.1800	12.0	7.0	13.0	7.0	13.0	7.5	16.5	8.0				
0.2200	15.0	8.0	14.0	7.0	14.0	8.0	17.5	9.0				
0.3300	16.5	9.5	18.0	11.0	16.0	8.5	19.5	10.0				
0.4700	18.0	10.0	22.5	11.5	16.0	10.0	21.5	10.0				

CAP	400VDC				630VDC				1000/1200VDC			
	μ F	W(mm)	T(mm)	H(mm)	P(mm)	W(mm)	T(mm)	H(mm)	P(mm)	W(mm)	T(mm)	H(mm)
0.0010	7.0	4.0	12.0	4.0	7.5	4.5	12.5	5.0	7.5	4.5	12.5	5.0
0.0015	7.5	4.0	12.5	4.0	7.5	4.5	12.5	5.0	7.5	4.5	12.5	5.0
0.0022	7.5	5.0	12.5	4.0	8.5	5.0	13.0	5.0	7.5	5.0	13.0	5.0
0.0033	8.0	5.0	13.5	6.0	9.0	5.0	13.5	5.0	9.0	5.0	13.5	5.0
0.0047	9.0	6.0	14.0	6.0	10.0	5.5	14.0	7.0	10.0	5.5	14.0	7.0
0.0056	9.5	6.0	14.0	6.0	10.0	6.0	14.0	7.0	10.0	6.0	14.0	7.0
0.0068	9.5	6.0	14.5	6.0	11.0	6.0	14.0	7.0	11.0	6.0	15.0	7.0
0.0082	10.5	6.5	15.0	7.0	11.0	6.5	14.0	7.0	11.0	6.5	15.0	7.0
0.0100	10.5	6.5	15.0	7.0	11.0	7.5	14.0	7.0	11.0	7.5	15.5	7.0
0.0150	12.0	8.0	8.0	7.0	12.0	8.0	14.0	8.0				
0.0220	12.0	8.5	8.5	7.0	12.0	8.5	14.0	8.0				
0.0330	13.5	8.5	8.5	9.0	13.5	8.5	14.5	9.0				
0.0470	15.5	9.5	9.5	9.0	15.5	9.0	14.5	9.5				
0.0560	17.5	11.5	11.5	9.0								
0.0680	17.5	11.5	11.5	9.0								
0.0820	19.0	11.0	11.0	11.5								
0.1000	19.0	12.0	12.0	11.5								