



TMRP01-Sealed Potentiometer

Feature:

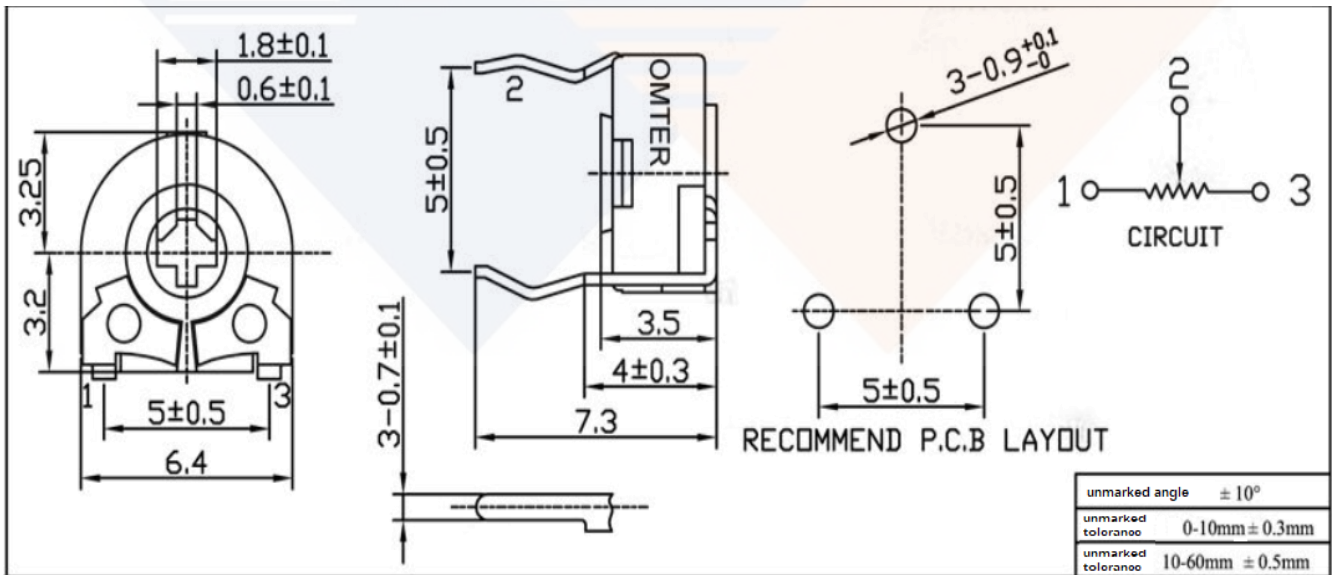
- Small size, 3 pins
- Spain potentiometer, horizontal mount/vertical adjust, Cross slot
- Compact design with a good space factor
- Stable performance, RoHS compliant

Application Radio, Power tools, Instruments

Part Number:

TMRP01	-	1	2	3	4	5	6	7	8	9	
Produce Code TMRP01: Sealed Potentiometer	-	Resistance Value Code: Three digits: The first two digits are significant figures and the third one denotes number of zeros. 394=390KΩ Four digits: The first three digits are significant figures and the fourth one denotes number of zeros. 1201=1.2K Ω				Tolerance M=±20% N=±30%	Rated Power: 15=0.15W	Packaging T:tape&reel B:bulk	Resistance Taper: A,B,C		

Dimension(mm):





TMRP01-Sealed Potentiometer

Specification:

Standard Resistance Range	500Ω to 1MΩ
Resistance Tolerance	M=±20% , N=±30%
Residual Resistance	less than 10Ω
Resistance Taper	B=Linear,A=logarithm,C=Anti-logarithm;
Power rating	B=0.1W,A,C=0.05W
Operating Voltage	B=100VDC, AC=50VDC
Rotational Life	500 cycle/10,000 cycle
Rotational Angle	235°±5°
Torque	20 to 200 g.cm
Stop Strength	400g.cm(Min.)
Operating Temperature	-25°C~+40°C
Temperature Characteristics	+5~-30°C change in resistance after 5 hours at 70°C
Humidity Characteristics	Maximum 20% change in resistance after 350 hours at 40°C and RH 95% loaded
Solderability	260°C,3 seconds