

THC2 Type High-energy Tantalum Hybrid Capacitor



Features and Uses:

1. All tantalum shell, airtight, cylindrical, co directional, and polarized.
2. The product is a hybrid capacitor composed of tantalum electrolytic capacitors and electrochemical capacitors, with small volume and large storage energy, making it the first innovative product in China.
3. Excellent and stable electrical performance, high reliability, long service life, high energy density per unit volume, and larger capacity than THC1 type.
4. It can serve as a battery in the energy conversion circuit, providing functions such as energy storage and power outage delay for the circuit.
5. Executive standards: GJB733A-96, QJ/PWV20102-2004

Main Technical Performance:

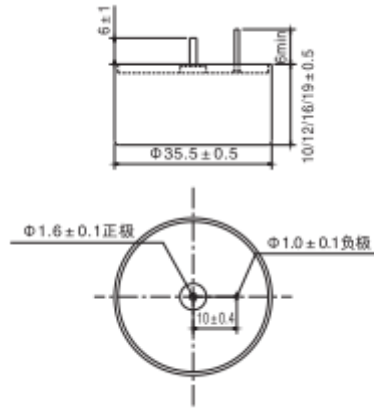
Operating temperature range: $-55\text{ }^{\circ}\text{C}\sim+125\text{ }^{\circ}\text{C}$

Storage temperature range: $-62\text{ }^{\circ}\text{C}\sim+130\text{ }^{\circ}\text{C}$

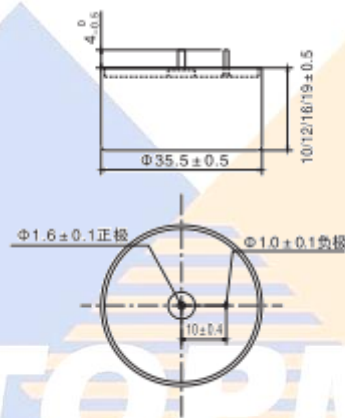
Allowable deviation of capacity: K: $\pm 10\%$; M: $\pm 20\%$; Q: $-10\%\sim+30\%$

Rated voltage, category voltage, surge voltage, nominal capacitor, and main characteristics:

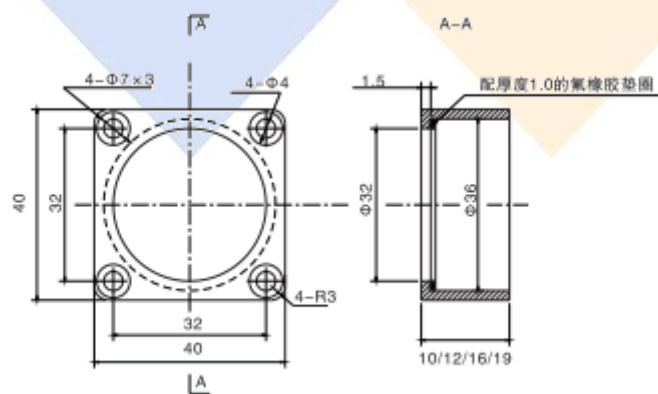
Rated voltage(V)	Category voltage(V)	Surge voltage(V)	Capacitance (uF)	tgθ (%)	ESR (Ω) 1kHz	Leakage current(uA)		Impedance (Ω) 100Hz	Change in capacitance		Dimension (mm)
						25 °C	85°C 125°C		-55°C	- 55°C 85°C	
10	6	11	100000	180	0.035	300	1800	1	-80	+160	35.5*12
			150000		0.025						35.5*16
16	9.5	17.6	60000	165	0.035	300	1800	1	-80	+160	35.5*12
			90000		0.025						35.5*16
25	15	27.5	36000	130	0.04	300	1800	1	-75	+160	35.5*12
			54000		0.035						35.5*16
35	20	38.5	24000	95	0.04	300	1800	1	-70	+160	35.5*12
			36000		0.035						35.5*16
50	30	55	11000	65	0.1	300	2400	1.2	-60	+120	35.5*10
			12000	65	0.1	300	2400	1.2	-60	+120	35.5*12
			16000	70	0.04	400	2400	1.2	-55	+135	35.5*12
			18000	70	0.04	400	2400	1.2	-55	+135	35.5*12
			24000	70	0.035	400	2400	1.2	-55	+135	35.5*16
63	38	70	8000	50	0.04	400	2400	1.4	-45	+90	35.5*12
			12000		0.035						35.5*16
80	48	88	5600	40	0.06	500	3000	1.6	-40	+90	35.5*12
			8200		0.04						35.5*16
100	60	110	2400	35	0.08	500	3000	1.8	-30	+80	35.5*12
			3800		0.05						35.5*12
			3600		0.05						35.5*16
			5700		0.05						35.5*16
110	66	121	1200	35	0.08	500	3000	2.0	-25	+60	35.5*12
			1800		0.075						35.5*16
			3000		0.075						35.5*16
			4500		0.075						35.5*16
125	75	138	1100	30	0.08	500	3000	2.4	-25	+50	35.5*12
			1600		0.075			2.4	-25	+50	35.5*16
			2200		0.075			2.4	-25	+50	35.5*12
			3300		0.05			2.4	-25	+50	35.5*16
			3300		0.05			2.4	-20	+45	35.5*19



THC2 Type 35.5 * 10/12/16/19 Outline Drawing (Type-A)



THC2 Type 35.5 * 10/12/16/19 Outline Drawing (Type-B)



THC2 Type 35.5 * 10/12/16/19 Installation fixing frame diagram

Note:

1. It is prohibited to use a multimeter to measure tantalum capacitors regardless of polarity (which is very likely to cause irreversible damage and lead to product scrapping)

2. The test frequency for capacitance and loss angle tangent is 100Hz.

$U_{\pm} = 2.2^{+0.10}_{-0.05} V, U_{\pm} = 1.00^{+0.05}_{-0.05} V$ (effective value).

The measurement method adopts a series equivalent circuit.

3. When testing the leakage current at 125 °C, apply a category voltage.

The leakage current parameter is a five-minute reading.

4. Special size requirements or large capacity products can be negotiated with us for production.

The logo for ETOPMAY is a large diamond shape composed of two overlapping triangles. The left triangle is light blue and the right triangle is light orange. In the center, the word "ETOPMAY" is written in a bold, white, sans-serif font. The letters are slightly shadowed to appear as if they are floating above the diamond background.