

CBB16-DC PULSE CAPACITOR

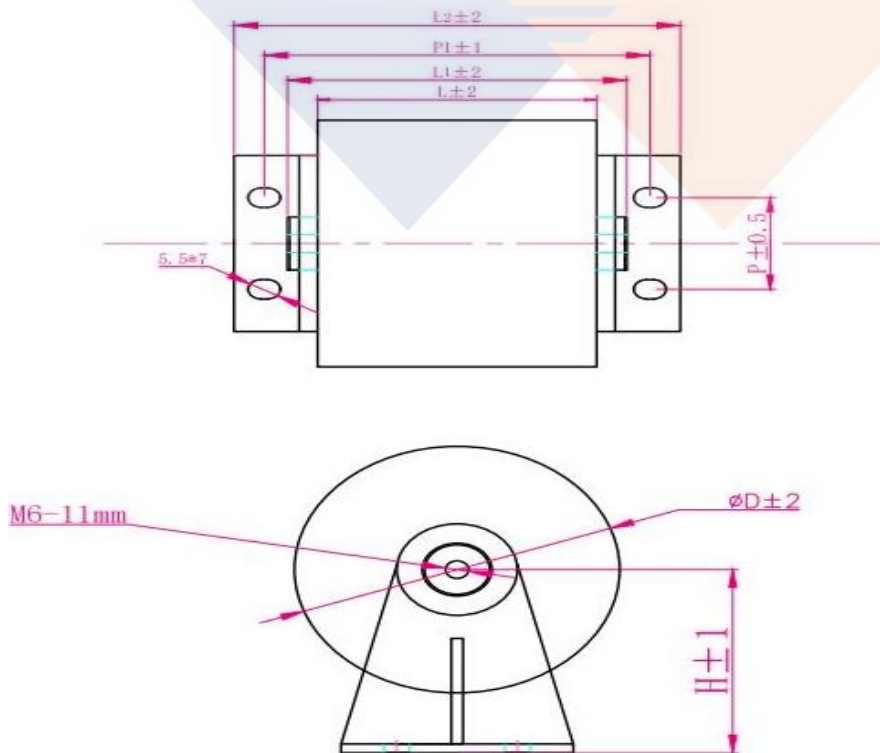
Features 特点

- ∅ It is applied to absorb and filter high frequency pulse current in high power high frequency switching power supply.
- ∅ The equivalent series resistance is small and can withstand large ripple current and large current impact
- ∅ Small self-inductance, good high-frequency characteristics
- ∅ It has self-healing properties.
- ∅ Long service time
- ∅ Plastic shell, resin potting

Applications 应用场合

- Used in high frequency switching power supply filter, absorption, straightening, resonant circuit.
- For high frequency switching power supply filter, absorption, straight separation, resonant circuit for EMI circuit, such as high frequency inverter welding machine, UPS, electric vehicle and so on

Outlook Drawing 尺寸图



Technical specification 参数

CBB16 (IGBT 吸收电容器) 规格尺寸

CBB16 型号 SFPEC-	额定电压		容量 (μF)	额定电流 Max.(A)	外壳尺寸 ϕ^*H (mm)
	DC (V)	AC(V)			
1400-10	1400	400	10	5	50*60
1400-20	1400	400	20	10	50*60
500-2	1800	500	2	30	63*49
500-3	1800	500	3	40	63*49
500-4	1800	500	4	50	63*49
500-5	1800	500	5	65	63*49
500-6	1800	500	6	80	73*49

CBB16(SFPEC)								
2	500VAC	25	1200	≤ 10	1800V,10S	3000VAC,60S	$\leq 10 \times 10^{-4}$	$\Phi 63^*49$
3	500VAC	35	1200	≤ 10	1800V,10S	3000VAC,60S	$\leq 10 \times 10^{-4}$	$\Phi 63^*49$
4	500VAC	50	1200	≤ 10	1800V,10S	3000VAC,60S	$\leq 10 \times 10^{-4}$	$\Phi 63^*49$
5	500VAC	60	1300	≤ 10	1800V,10S	3000VAC,60S	$\leq 10 \times 10^{-4}$	$\Phi 63^*49$
6	500VAC	80	1400	≤ 10	1800V,10S	3000VAC,60S	$\leq 10 \times 10^{-4}$	$\Phi 76^*49$
10	1400VAC	18	200	≤ 10	1800V,10S	3000VAC,60S	$\leq 30 \times 10^{-4}$	$\Phi 50^*60$
20	1400VAC	35	200	≤ 10	1800V,10S	3000VAC,60S	$\leq 50 \times 10^{-4}$	$\Phi 50^*60$
50	350VAC	35	200	≤ 10	600V,10S	3000VAC,60S	$\leq 35 \times 10^{-4}$	$\Phi 50^*60$

注：表中以外的规格和尺寸，可以商议。

Note: Other specifications and size outside table are negotiable.